

TSAN063 Integra-H_Integra-TR_RTU Drop

Dataradio Technical Support

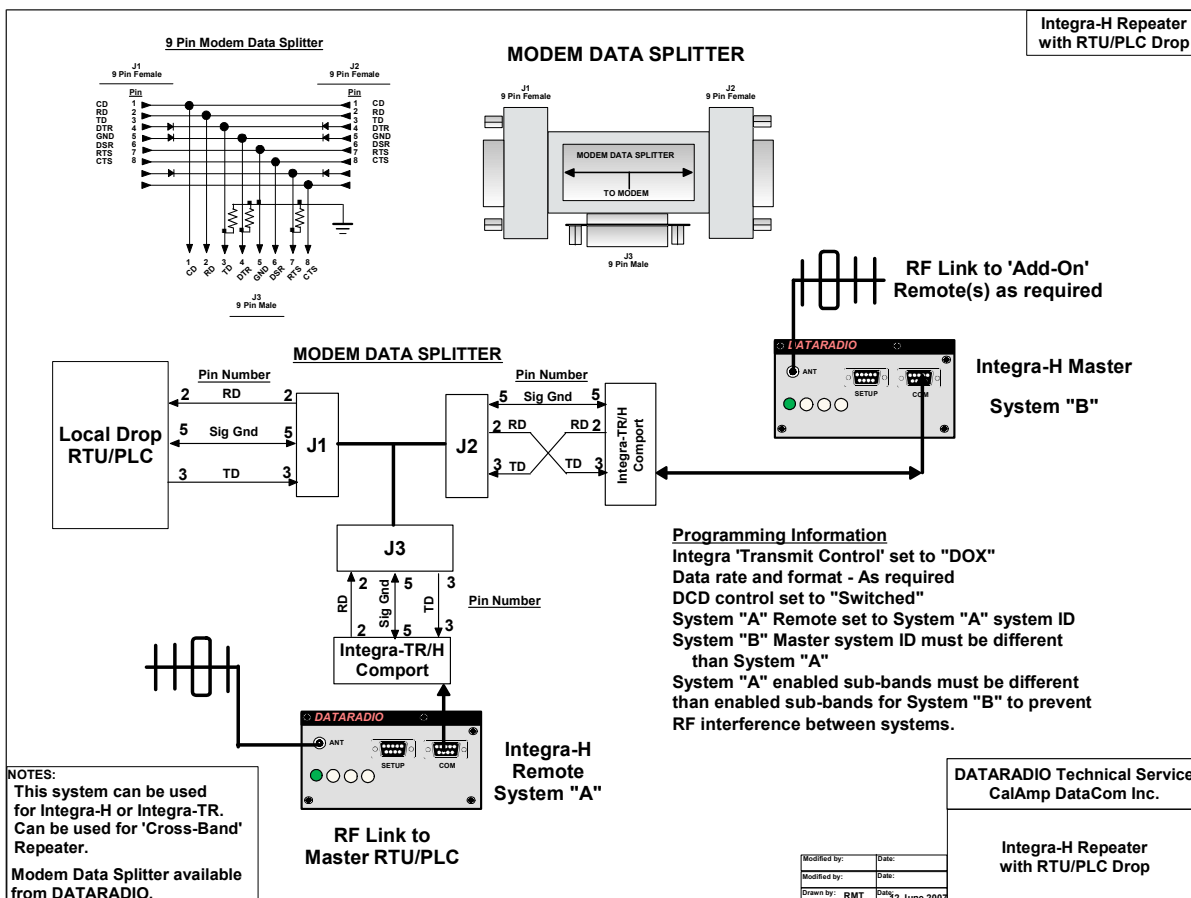
For additional assistance: www.dataradio.com

Within the U.S.A.	1-800-992-7774	International	1-507-833-8819
-------------------	----------------	---------------	----------------

Product: Integra-H 'Back to Back' Repeater or Integra-TR system extension

Application: Data systems utilizing Integra-H or Integra-TR wireless modems occasionally require the addition of a remote site in a location that does not have a reliable RF link to the 'Master' radio. In such cases adding an Integra-H repeater in a 'Back to Back' configuration, or adding an Integra-H link to an Integra-TR system, can provide the answer. In many such cases, the site of the repeater or system extension will have a PLC or RTU in place, and keeping this installation in place is necessary.

The application of a modem splitter (available from Dataradio) will allow the local PLC/RTU to remain in the system as well as allowing data to be passed through to the Integra-H repeater or extension. The following drawing shows how this is accomplished.





Programming information: Integra-H 'Back to Back' Repeater

System "A" Remote must be set to system "A" MASTER I.D.
System "B" Master I.D. must be different than system "A" MASTER I.D.

System "A" enabled sub-bands must be different than system "B" enabled sub-bands to prevent RF interference between systems.

Integra-H "Transmit Control" set to "DOX".
Data rate and format set as required.
DCD control set to "Switched".

System "B" Operation

System "B" can be used to extend the system to a single remote site or to multiple remote sites. Remote(s) used in the system expansion must be programmed to match the system I.D. of the master unit used at the repeater location.

'Online Diagnostics' are available locally at the Integra-H modems but will not pass through the repeater.

Integra-TR System Extension

Applications using Integra-TR® wireless modems can be expanded in the same manner as using a 'Back to Back' repeater. The difference is having an Integra-TR to Integra-H 'Back to Back' repeater.

Programming of the Integra-TR remains the same as when it is part of the main system. The Integra-H is programmed as the 'MASTER' providing the system I.D. for the Integra-H remote unit(s).

Transmit Control set to "DOX".
Data rate and format set as required.
DCD Control set to "Switched".

'Online Diagnostics' are available locally at the Integra-TR/H modems but will not pass through the system extension.

Assistance and Support

For further assistance and support please contact DATARADIO Technical Service and Support at:
support@dataradio.com.