

TSAN 057 INTEGRA TR to Coyote DataCom RIO-15 Dataradio Technical Support

For additional assistance: www.dataradio.com

Within the U.S.A.	1-800-992-7774	International	1-507-833-8819
-------------------	----------------	---------------	----------------

Product: Integra-TR™

Application: Provide interface information necessary for the configuration of the Integra-TR wireless modem to a Coyote DataCom RIO-15. Figure 1 shows the wiring information for this application. "Connection Information courtesy of Mario Vargas GB Tecnologia S.A

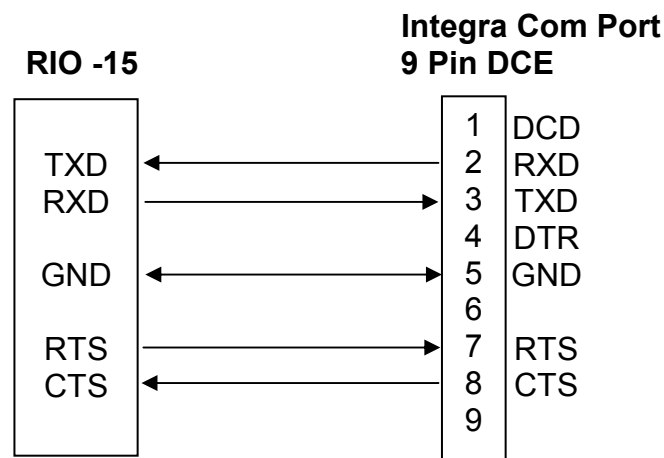


Figure 1: Wiring Interface for RIO-15 to Dataradio Integra-TR.

Set-up for Coyote DataCom RIO-15

1. Set the Baud Rate Register (40021) for the desired rate.
2. Set the Parity Register (40022) for the desired parity.

Setup for Integra-TR: Master and/or Slave for RIO-15 Interface

Using the Integra-TR Field Programming Software, locate the parameters tab. Each of the three Field Programming Software tabs should be configured as follows:

Modem Tab (Figure 2)

- Modem Type: fixed as per the attached unit
- Short ID: user assigned
- Serial No.: factory assigned
- Comment: user supplied comment
- Compatibility: Integra-TR
- Data Delivery: all or selective
- Sleep Mode: disabled (usually)
- Network Speed: set to match RIO-15 Baud Rate Register

- Station ID CWID: special use-refer to manual
- TX Online Diagnostics: checked (on)
- CWID Interval: refer to manual
- Extended Preamble: default is 5
- Suspend Period: power savings mode
- Activity Timeout: power saving mode

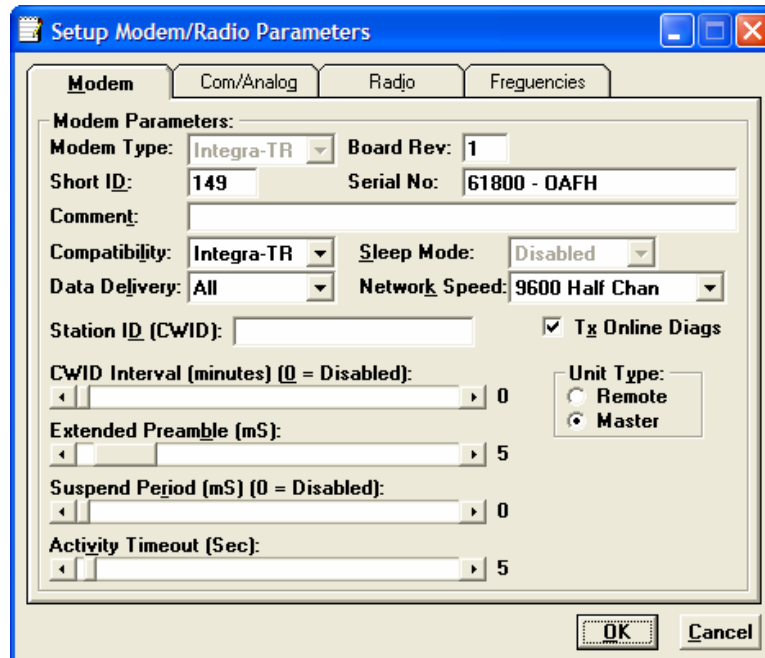


Figure 2

COM/Analog Tab (Figure 3)

- TX Control: RTS
- DCD Control: switched
- DTE Baud Rate: set to match RIO-15 Baud Rate Register
- DTE Data Format: 8 bits, parity (set to match RIO-15 Parity Register), 1 stop
- Data Forward Timer: normal
- Break: Ignore break
- Deferred Rx-Data Delivery: 0
- Analog 1: Input is default
- Analog 2: Input is default

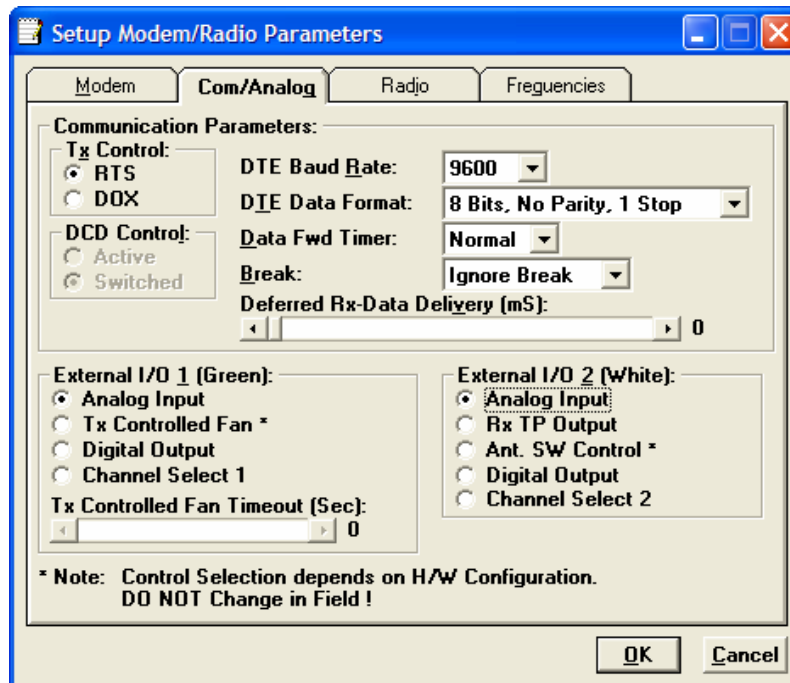


Figure 3

Radio Tab (Figure 4)

- Radio: displays unit model
- Range: displays unit range
- Channel: displays unit channel bandwidth
- Tune Range: low Rx
- Transceiver Type: transceiver (always choose this setting)
- Carrier Sense & TX Timeout: user programmable
- Disable TX w/ Carrier Present: disabled
- Selected Channel: Default to 1
- Chan Scan Time: Default to 0
- Chan Select Voltage: Default to 0

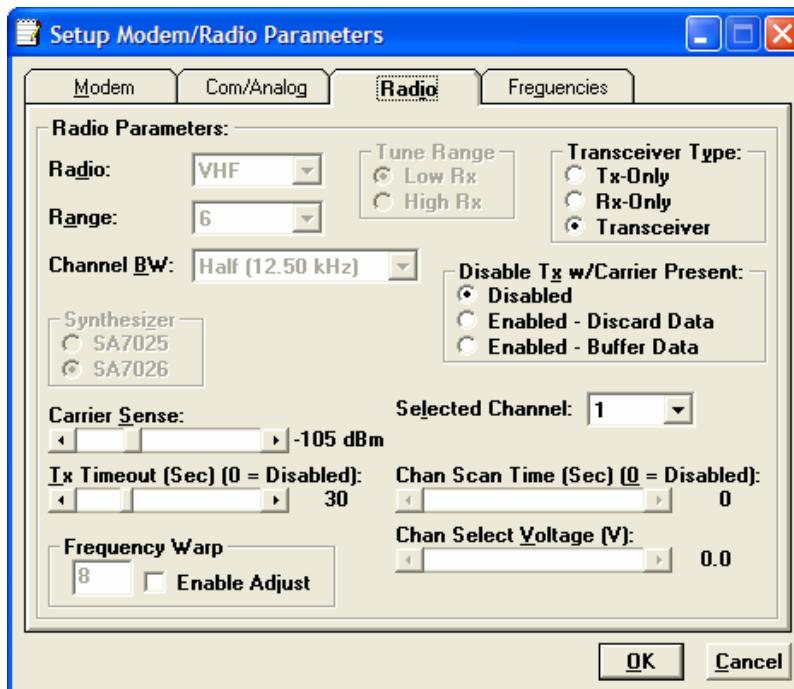


Figure 4

Frequencies Tab (Figure 5)

- Radio Frequencies: enter user frequencies
- TX Power: max 255 = 5 watts (this number is non-linear; 128 is not exactly 2.5 watts)

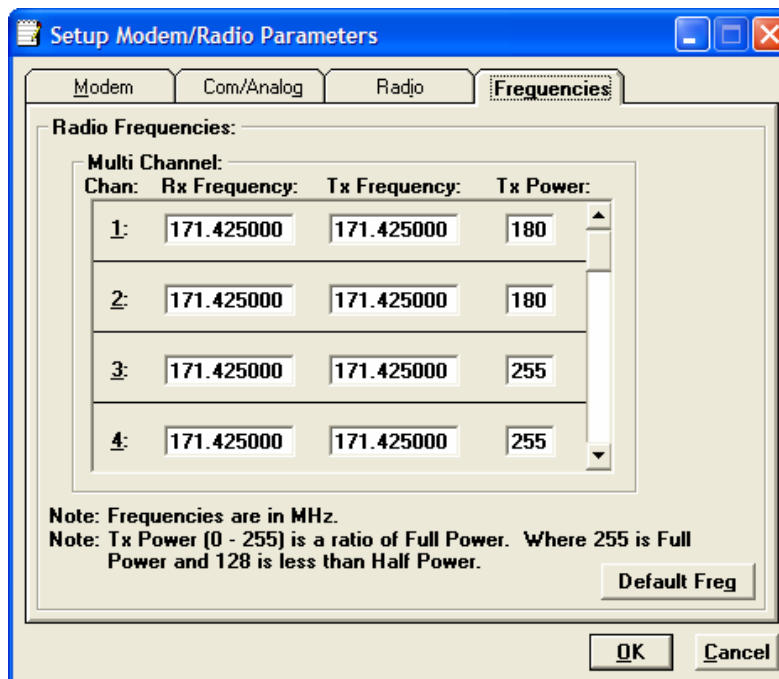


Figure 5

Always refer to the Integra-TR Installation Manual (p/n 001-4008-101) for proper set up. Factory defaults are recommended for startup settings.