

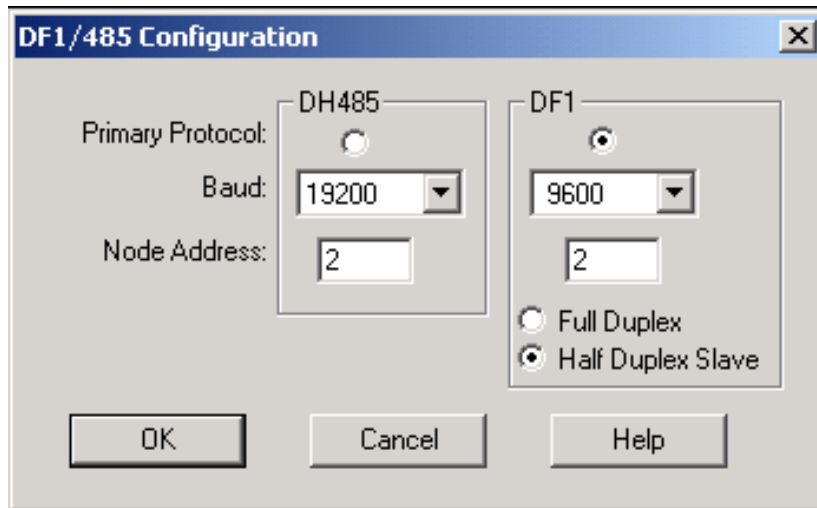
TSAN 021 T96SR AB MICRO LOGIX Dataradio Technical Support

For additional assistance: www.dataradio.com

Within the U.S.A.	1-800-992-7774	International	1-507-833-8819
-------------------	----------------	---------------	----------------

Product: Dataradio T-96SR Wireless Modem

Application: Serial interface for MicroLogix and T-96SR Wireless Modem



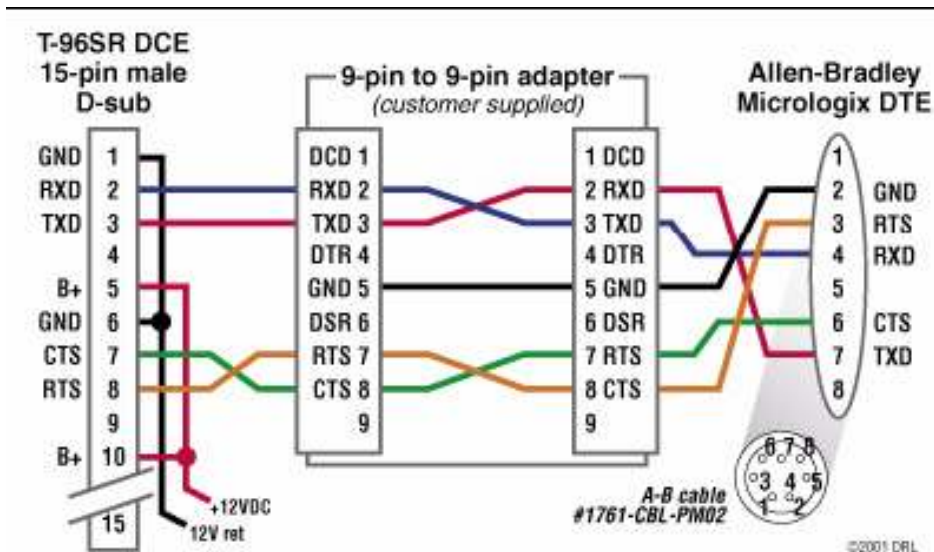
MicroLogix Configuration

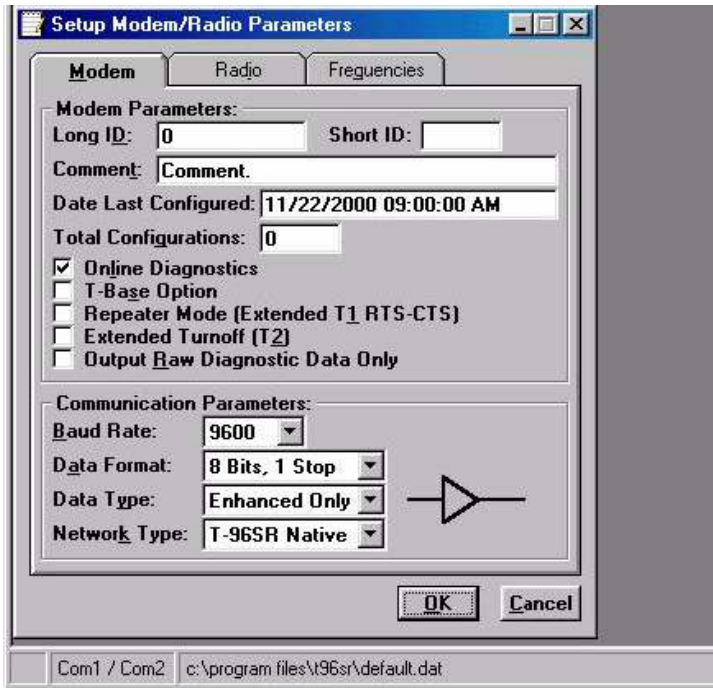
Primary Protocol: DF1
Baud: 9600
Node Address: 2
Half-Duplex Slave

Figure 1 MicroLogix Channel Configuration

Note: All timings are application dependent. Figure 1 shows a properly operating system.

Figure 2 Interface Cable Pin out





T-96 Configuration Setup Modem Parameters:

Configuration is set using the T-96 Field Programming Software

Long ID, Short ID: Factory Set user programmable if desired.

Comment: Add comments as needed.

Online Diagnostics: active

T-Base Option: disabled

Extended Turnoff (T2): disabled

Output Raw Diagnostics Data Only: disabled

Figure 3 Setup Modem Parameters

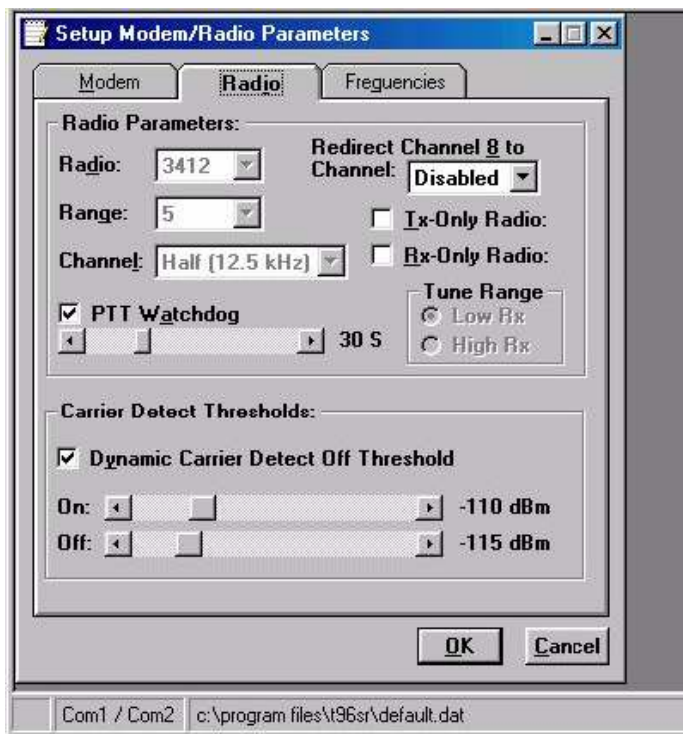
Baud Rate: 9600 bps

Data Format: 8 bits, 1 stop

Data Type: Enhanced

Network Type: T-96SR Native

(Unless fit into an older system)



Setup Radio Parameters:

Radio: Designates radio model.

Range: Designates radio frequency range

Redirect Channel 8 to Channel: disabled

Channel: Specifies whether unit is half-or full-channel

PTT Watchdog: Enabled

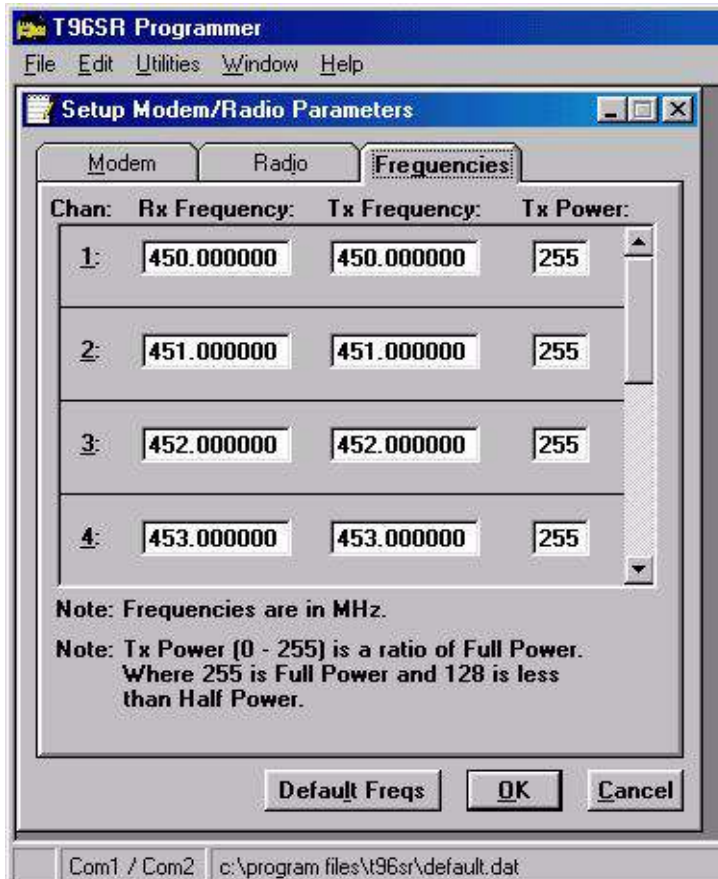
PTT Watchdog Timer: Sets max transmit time: set to 60.0 sec.

Tune Range: Low Rx

Dynamic Carrier Detect Off Threshold: enabled

Carrier Detect Thresholds: On:-110 dBm, Off:-115 dBm (beginning values)

Figure 4 Setup Radio Parameters



Setup Frequencies Parameters:

Chan: Channel

Rx Frequency: Receive Frequency

TX Frequency: Transmit Frequency (displays user frequencies)

TX Power: 255 is max 255= 5 watts (not linear, i.e., 128 is not exactly 2.5 W)

Figure 5: Setup Frequencies Parameters

In all cases, refer to the T-96SR Technical Manual (p/n 001-4006-102) for proper set up. Factory defaults are recommended for beginning settings.