

TSAN 010 INTEGRA EXTENSION

Dataradio Technical Support

For additional assistance: www.dataradio.com

Within the U.S.A.	1-800-992-7774	International	1-507-833-8819
-------------------	----------------	---------------	----------------

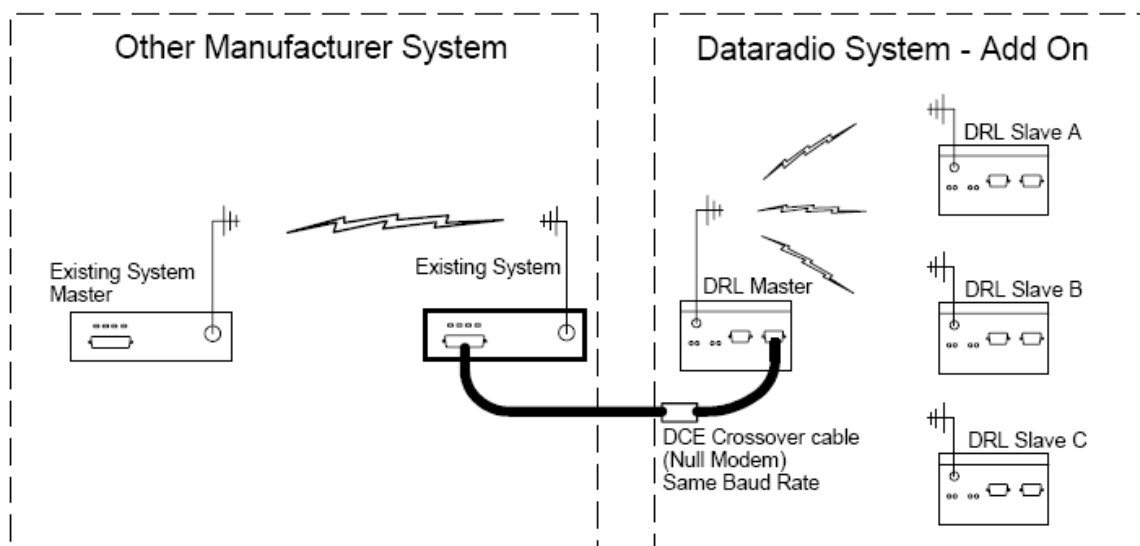
Product: Integra-H™ and Integra-TR™

Application: Interfacing an Integra-TR™ wireless modem with a third party wireless modem as a system extension feature.

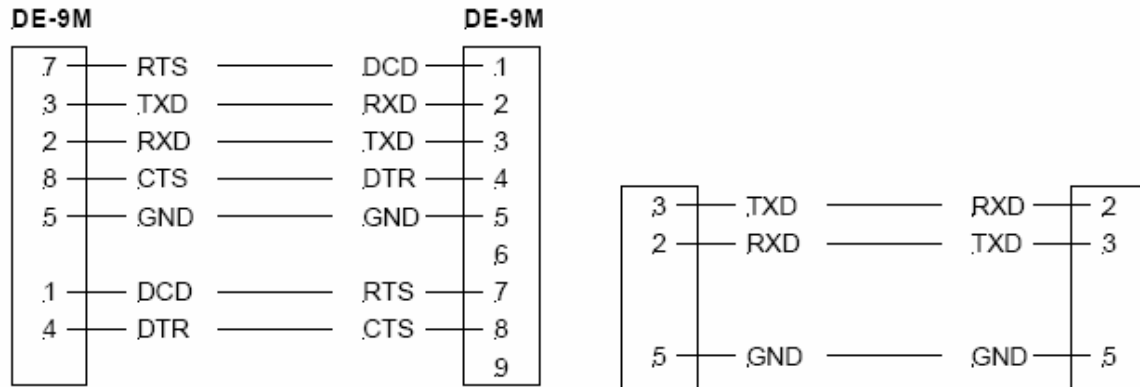
This method is the cabling and proper system set-up to allow an extension to another wireless modem system with Dataradio Integra-H™ and TR™ wireless modems. We will describe the integration of two different wireless modem types that are not RF modulation compatible. The connection is a serial data only description. It is basically a single hop back-to-back repeater. If additional hops are required the use of Integra I-Base repeaters or a store and forward device (re: MicroCapp- DCI Technologies) may be required for the link. Timing considerations commensurate with back to back repeaters must be taken into account.

Set-up: Each unit used in the extension must be set to the same bps rate, and data configuration. We recommend the highest bps rate available on both units. It is recommended that DOX mode be used (no handshaking). This will allow for data activated transmission (DOX) of data.

Figure 1: Extending an Existing System



Null Modem Cable: Null modem cables can be purchased very inexpensively. The wiring diagram for a DCE crossover cable (customer built) is shown below. An alternative would be to use a Null modem adapter with a standard serial cable.



DCE Crossover Cable for RTS-CTS mode or DCE Crossover Cable for DOX mode (Handshaking) **(No handshaking)**

The Dataradio Integra-TR™ can be added to any other existing system, including other manufacturers' or other Dataradio products. Connect a null modem cable between the COM port of the existing system remote and the COM port of the Dataradio master forming a repeater. See Figure 1 on previous page. This configuration will allow any system with an RS-232 port to be extended with a Dataradio wireless modem system.

Straight through serial cable: Dataradio (part number 697-4008-406)
Null modem adapter: B&B Electronics part # 232D23R and cable 232CAMR (25 to 9 pin adapter – as required.)

Associated Websites:

www.b-belec.com

www.dcitech.com